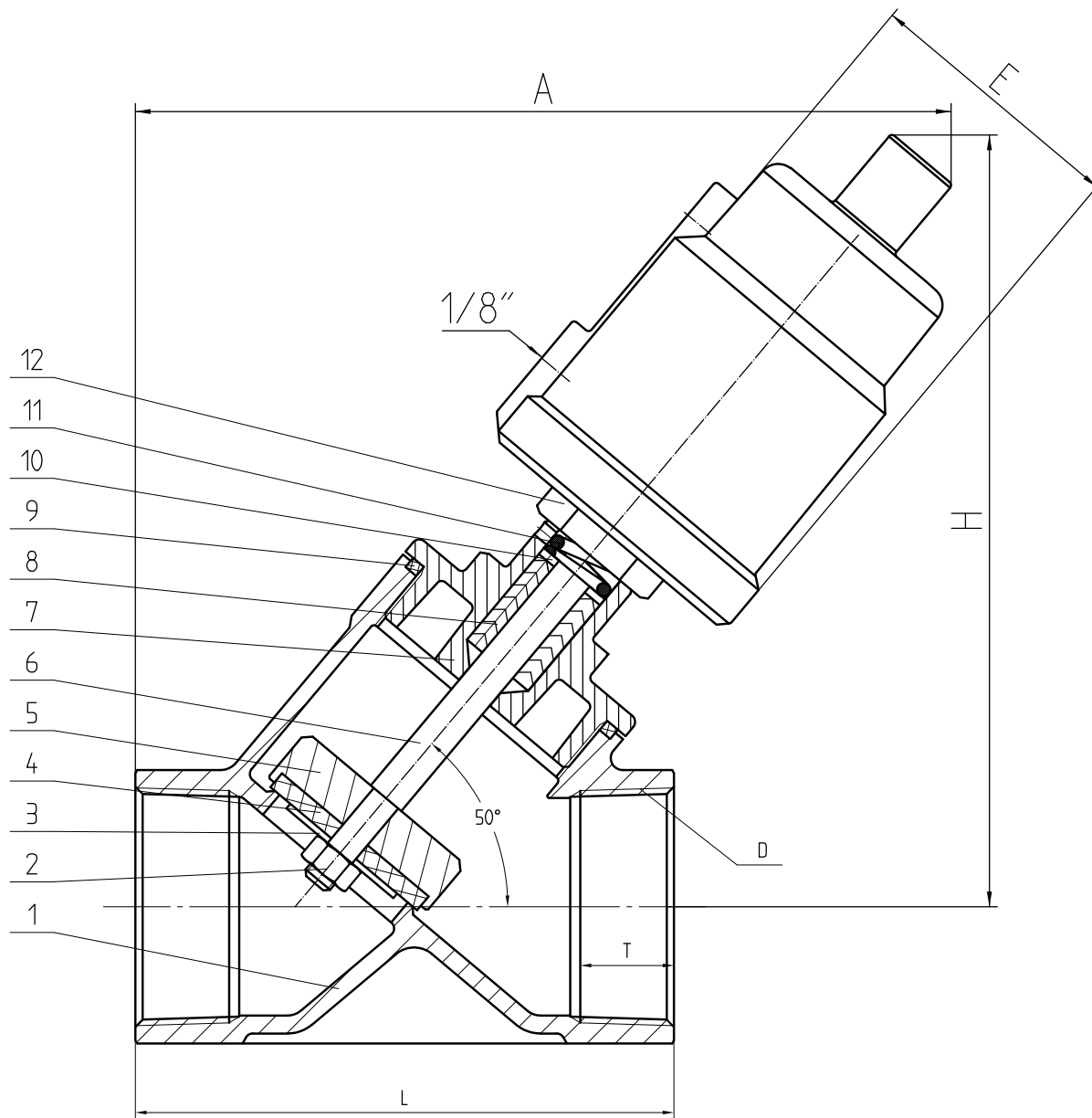


EO-1W



Technical parameters

Medium temperature	-20°C~+180°C
Ambient temperature	-20°C~+60°C
Nominal pressure	1.6MPa
Control gas	gas or air
Air pressure	0.3MPa-0.8MPa
Seal materia In cylinder	NBR/FKM

Size	L	T	D	A	H	E	Actuator
15	68	11	1/2"	133	126	62	φ50
20	75	14	3/4"	137	131	62	φ50
25	90	15	1"	174	165	62	φ50
32	115	17.5	1 1/4"	188	175	76	φ63
40	115	17.5	1 1/2"	190	178	76	φ63
50	135	20	2"	215	225	76	φ63
65	185	30	2 1/2"	252	280	96	φ80
80	220	33	3"	280	320	114	φ100
100	235	33	4"	300	350	114	φ100

No.	Name	Material
12	Stainless Steel Pneumatic Device	304
11	Spring	60Si2Mn
10	Metal pads	304
9	Body Seal	PTFE
8	Stem Seal	PTFE
7	Connecting Piece	CF8/CF8M
6	Stem	304/316
5	Valve Core	304/316
4	Seat	PTFE
3	Gasket	304/316
2	Nut	304/316
1	Body	CF8/CF8M

ZHEJIANG MINTN VALVE CO., LTD.

Describe	Pneumatic Angle Seat Valve
Model	M T - Q 3
Web	www.mintn.com
TEL	+86-577-55558668